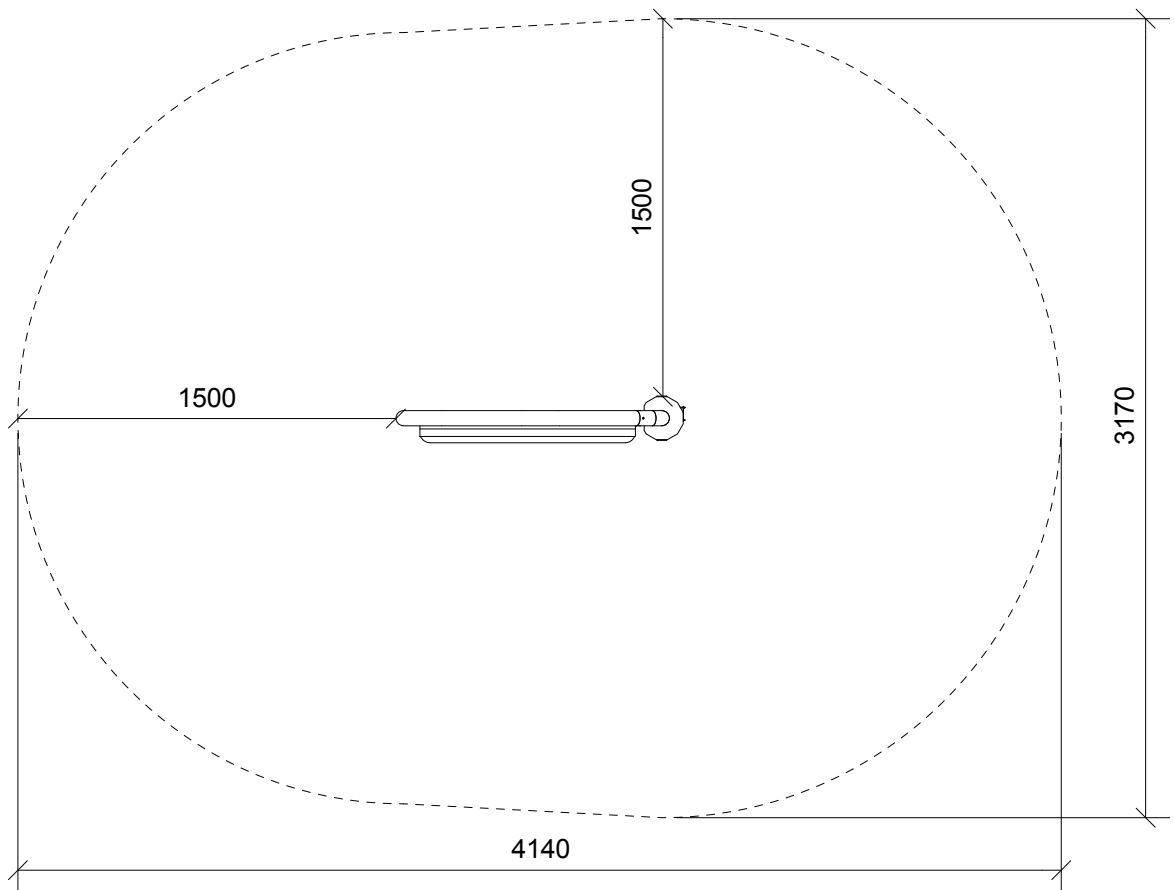
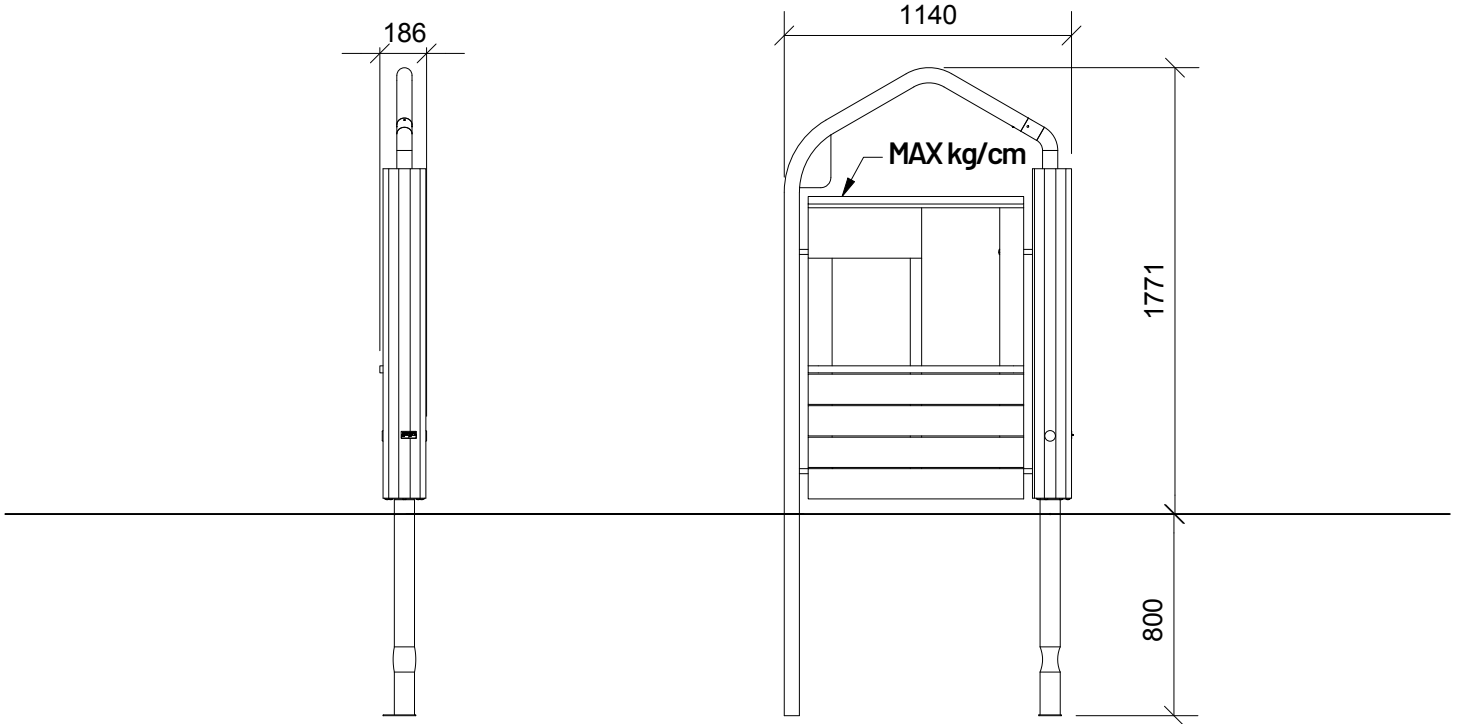


(1/30)



1



3,5h



11m²



4,2x3,2x1,8 m



~68 kg



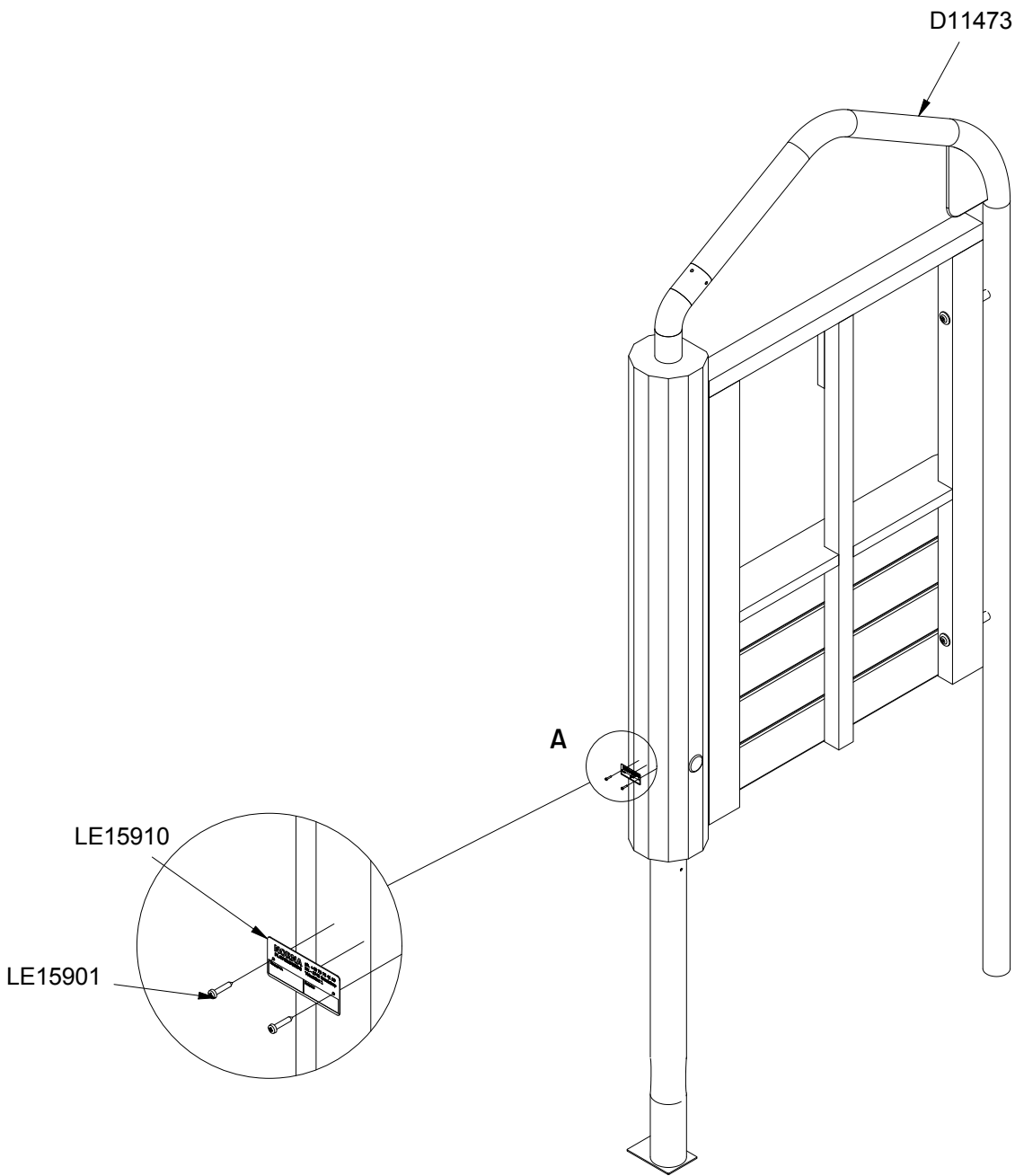
>C25
~0,07m³



120x87x12 cm

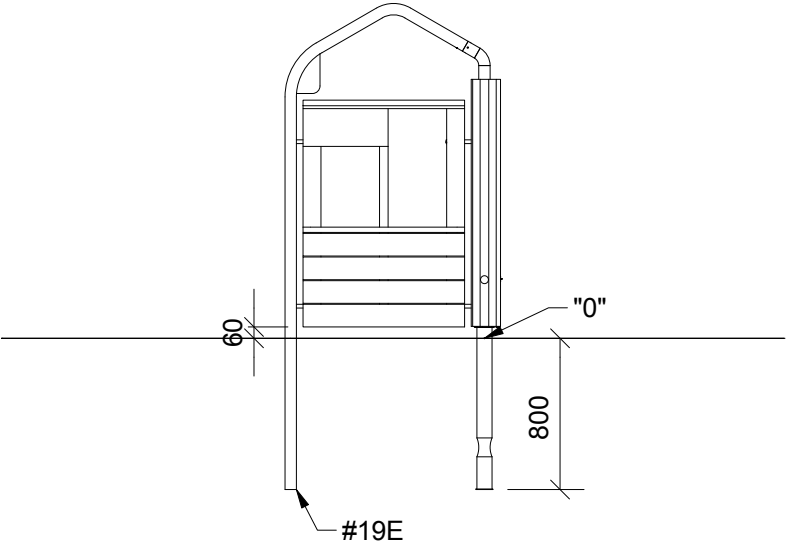


63 kg



| Parts List | | |
|------------|---------|-----------------|
| QTY | PART NO | DESCRIP. |
| 2 | LE15901 | 3x16, PH |
| 1 | LE15910 | Name tag |
| 1 | D11473 | Role play, No.2 |

(1/40)



(1/30)

