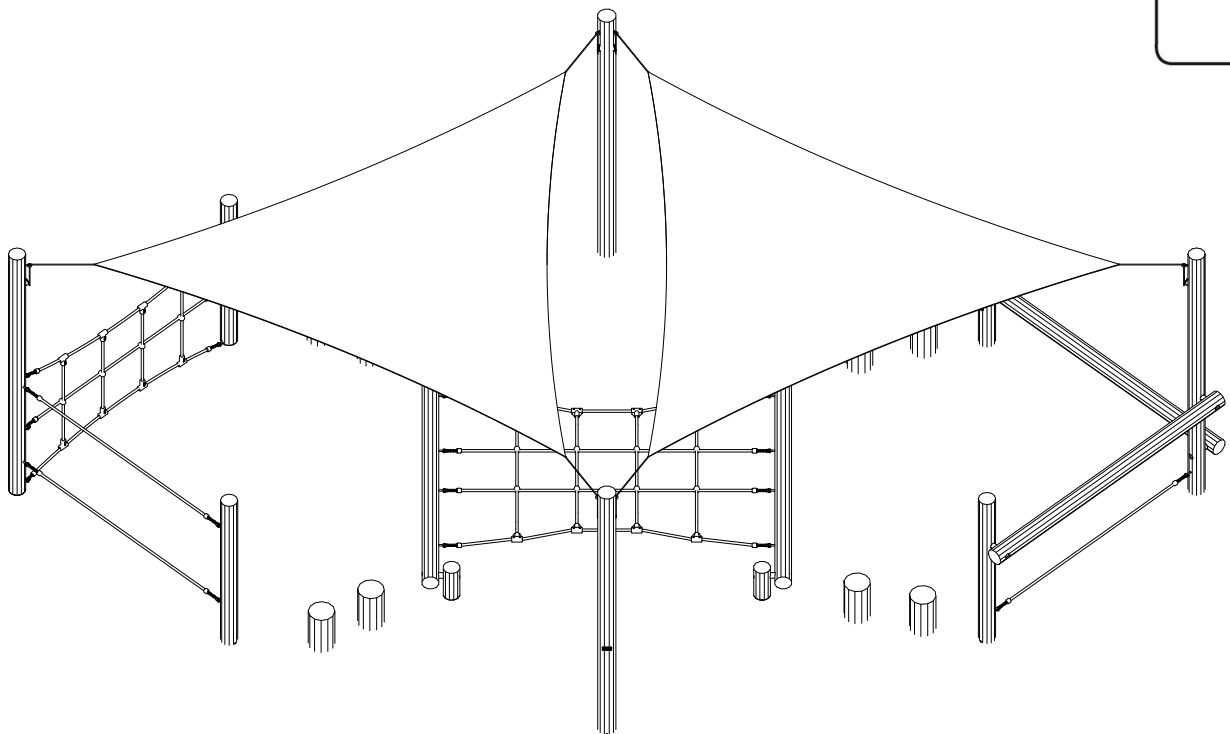
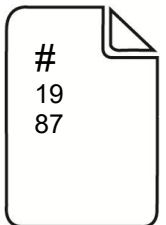
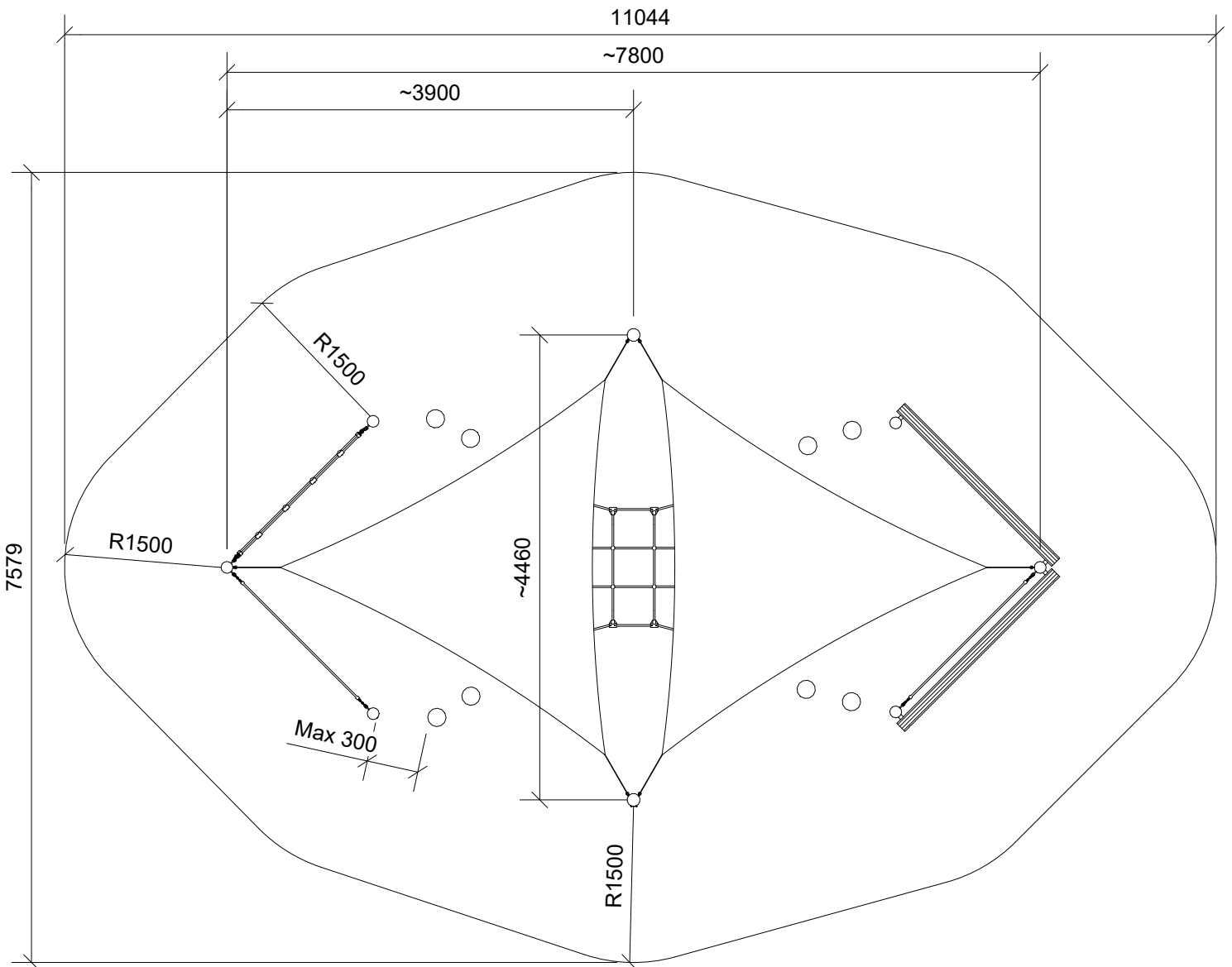
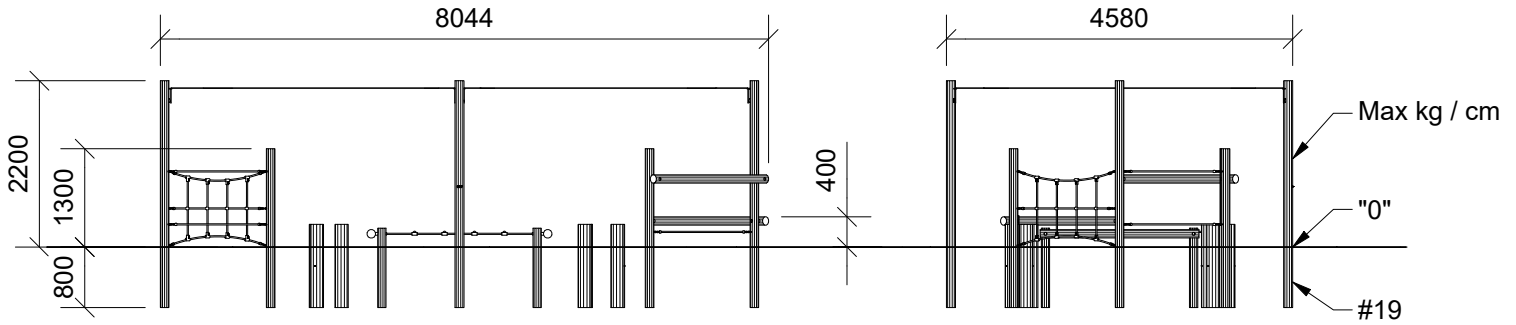


N9034U
N9034

1/5



N9034U N9034



2



9h



60 m²



11 x 7,6 x 300 m



~521 kg



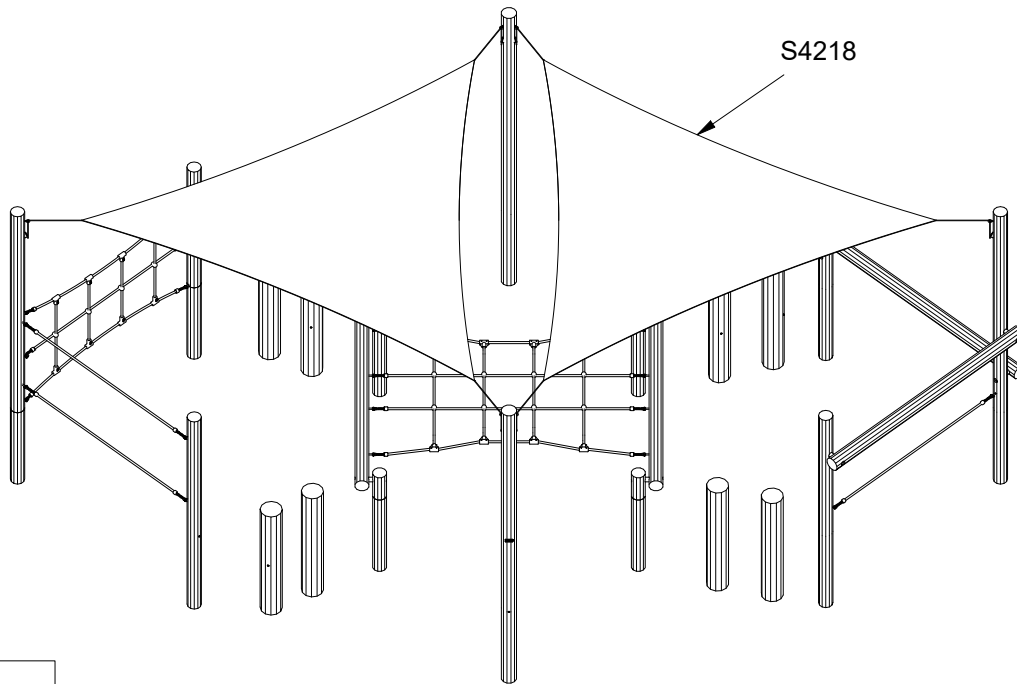
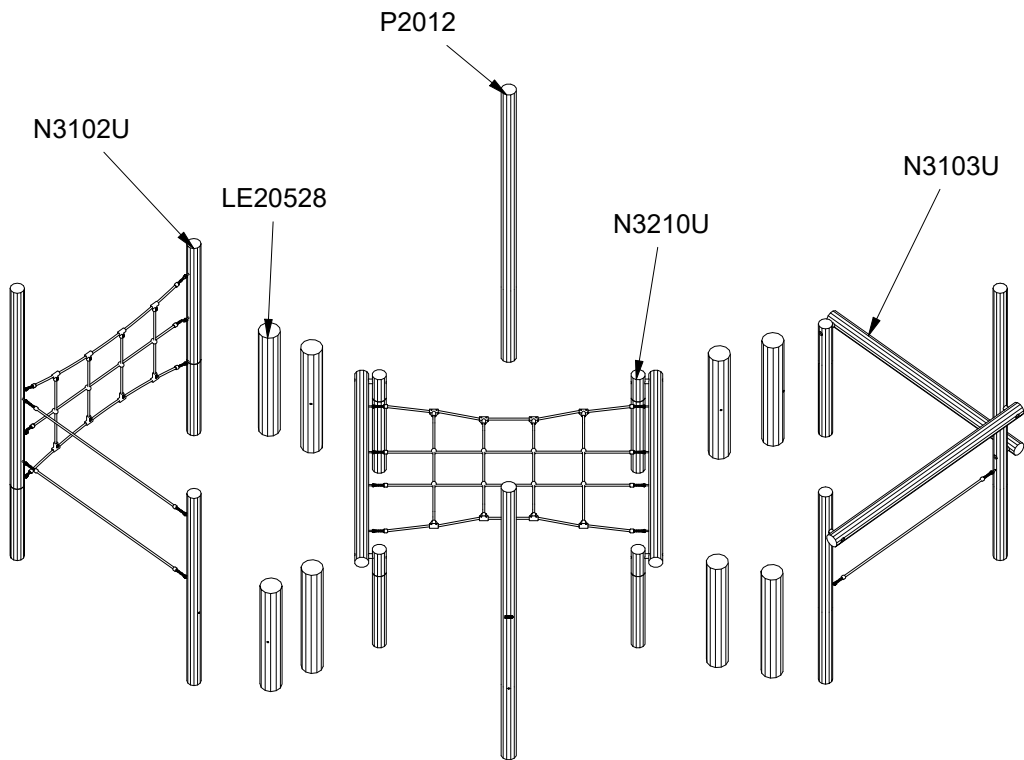
~0,76 m³



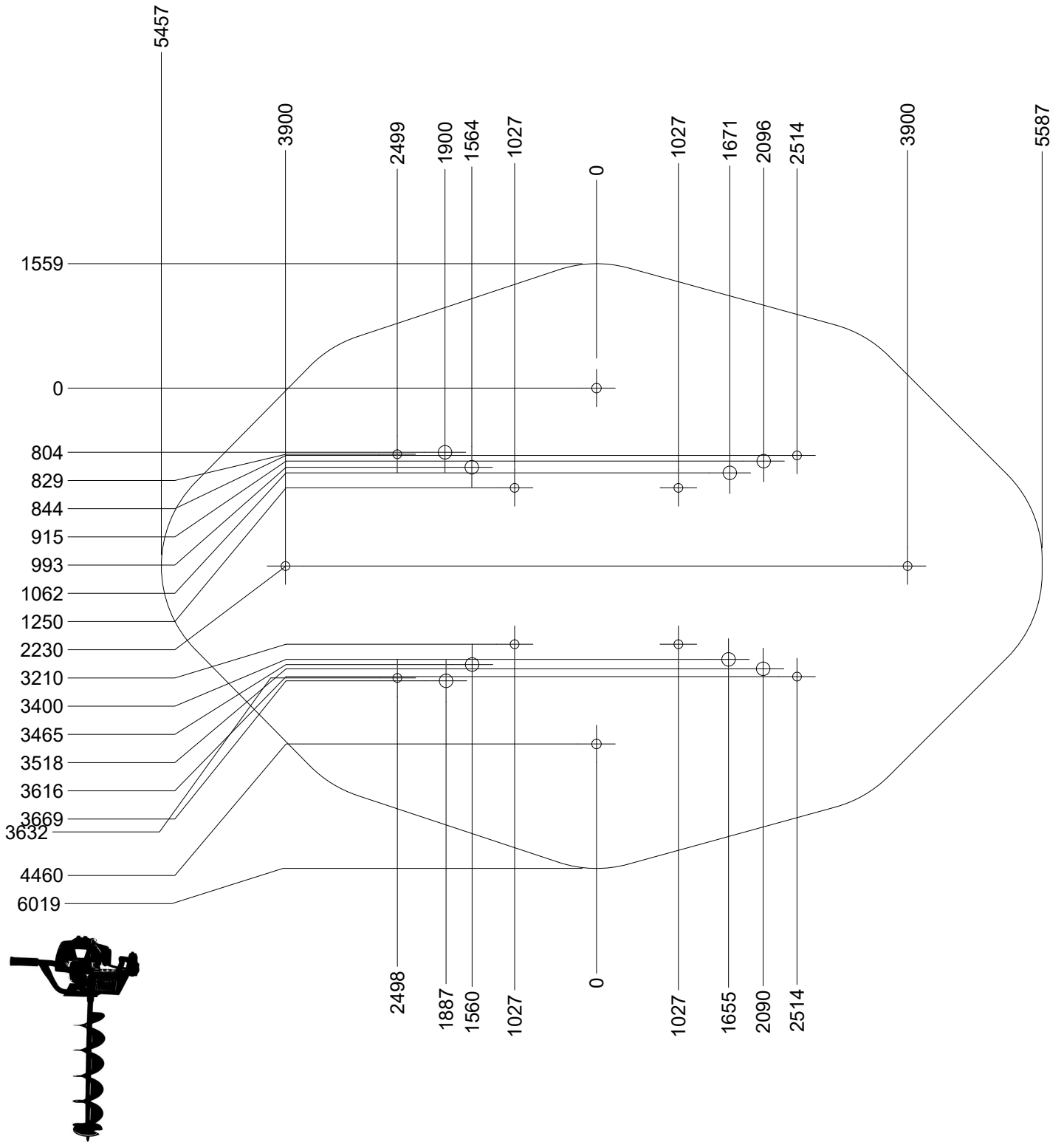
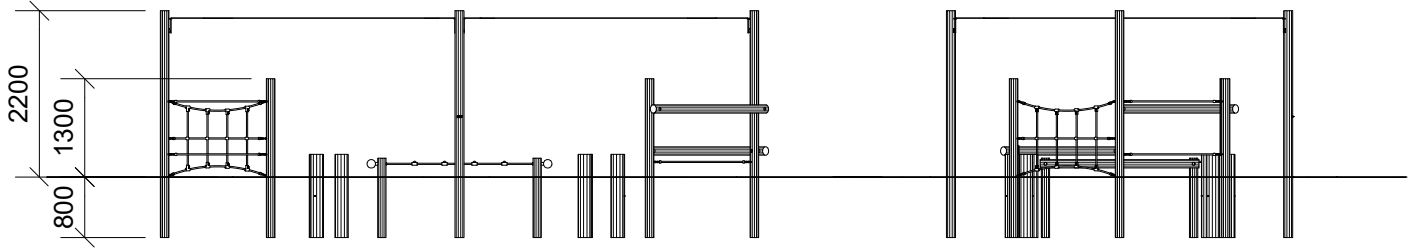
Ø10/12 x 300 cm

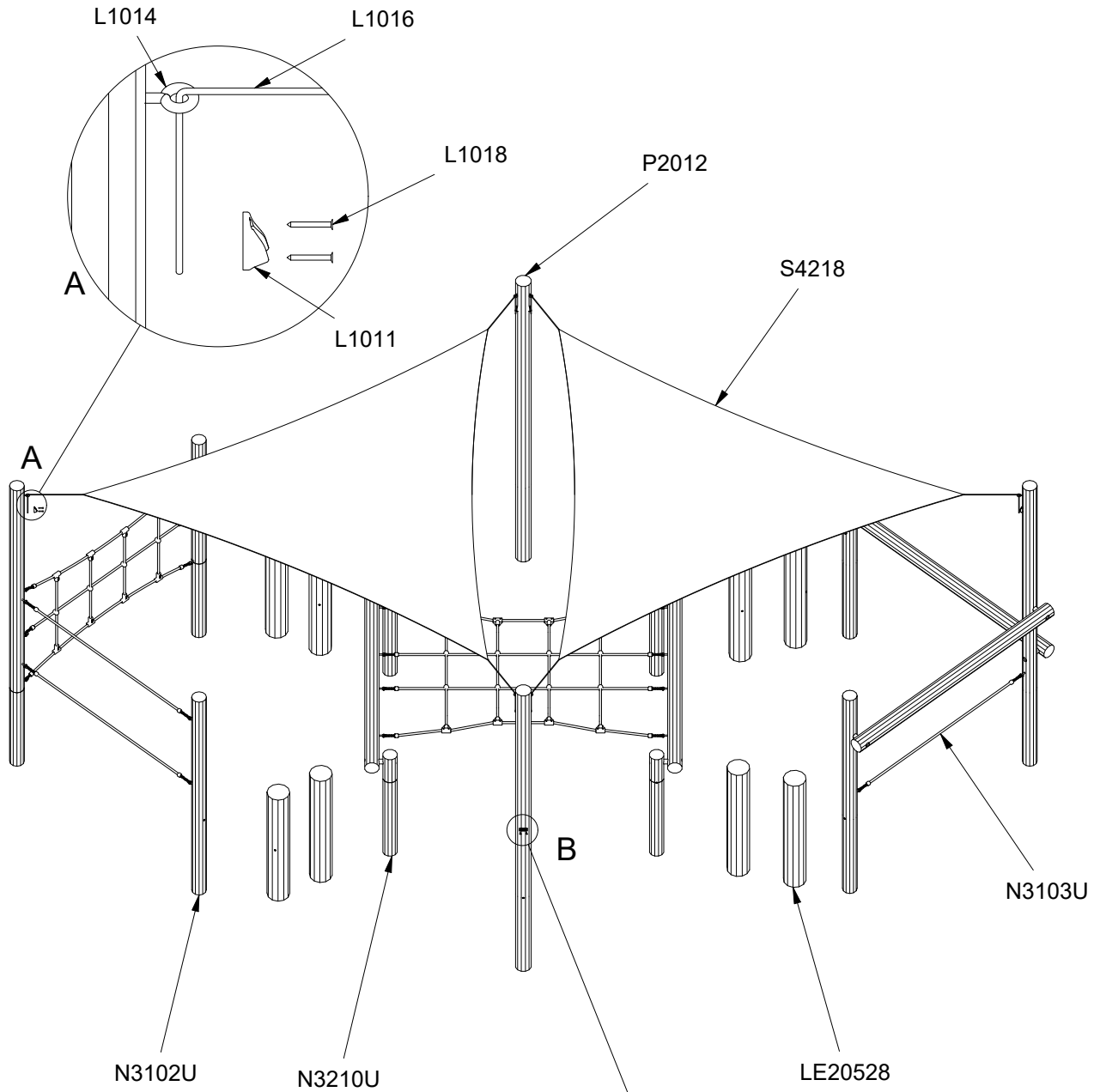


26 kg

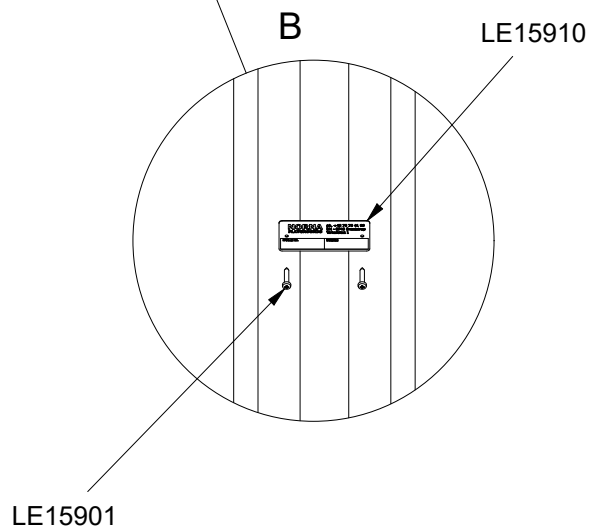


Parts List	
QTY	PART NO
8	LE20528
1	N3102U
1	N3103U
1	N3210U
2	P2012
2	S4218



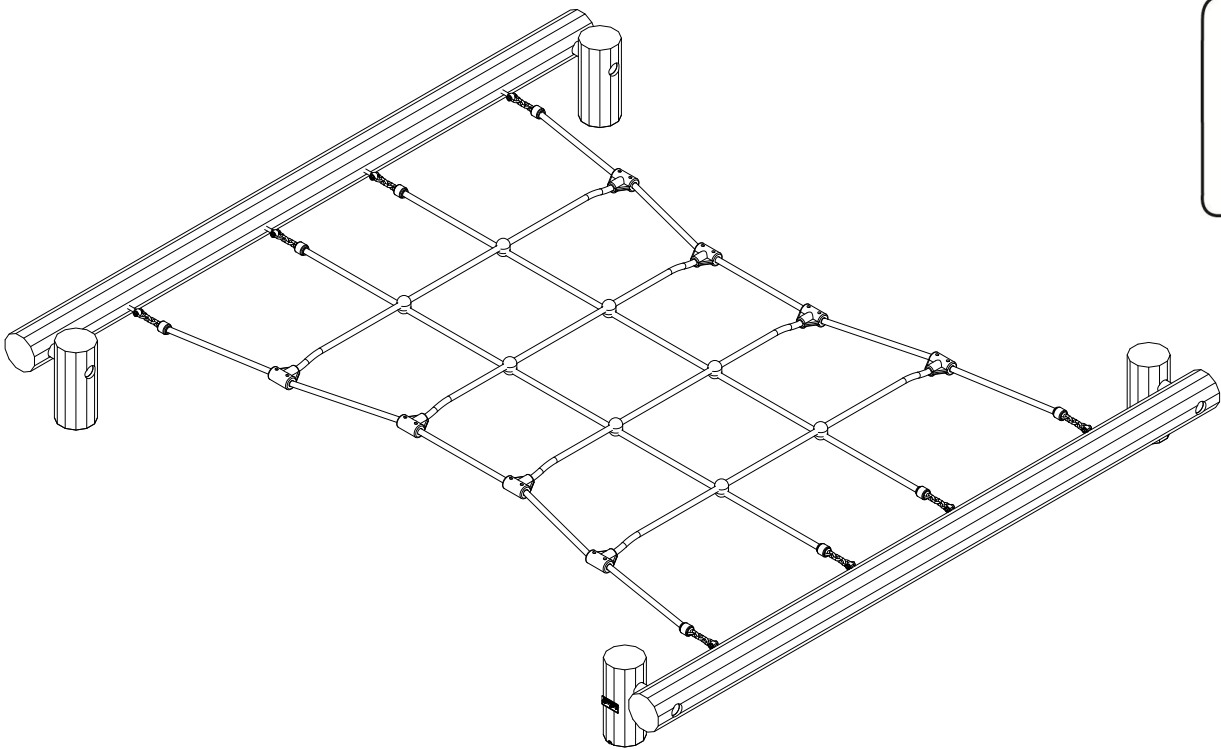
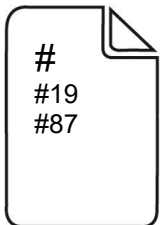


Parts List		
QTY	PART NO	DESCRIP.
6	L1011	CL204
6	L1014	8x50mm
6	L1016	Ø5x1000mm
12	L1018	4,0x35 mm
2	LE15901	3x16, PH
1	LE15910	Name tag
1	N9033U	-
8	LE20528	-
1	N3102U	-
1	N3103U	-
1	N3210U	-
2	P2012	Ø10/12
2	S4218	3600x3600x3600mm

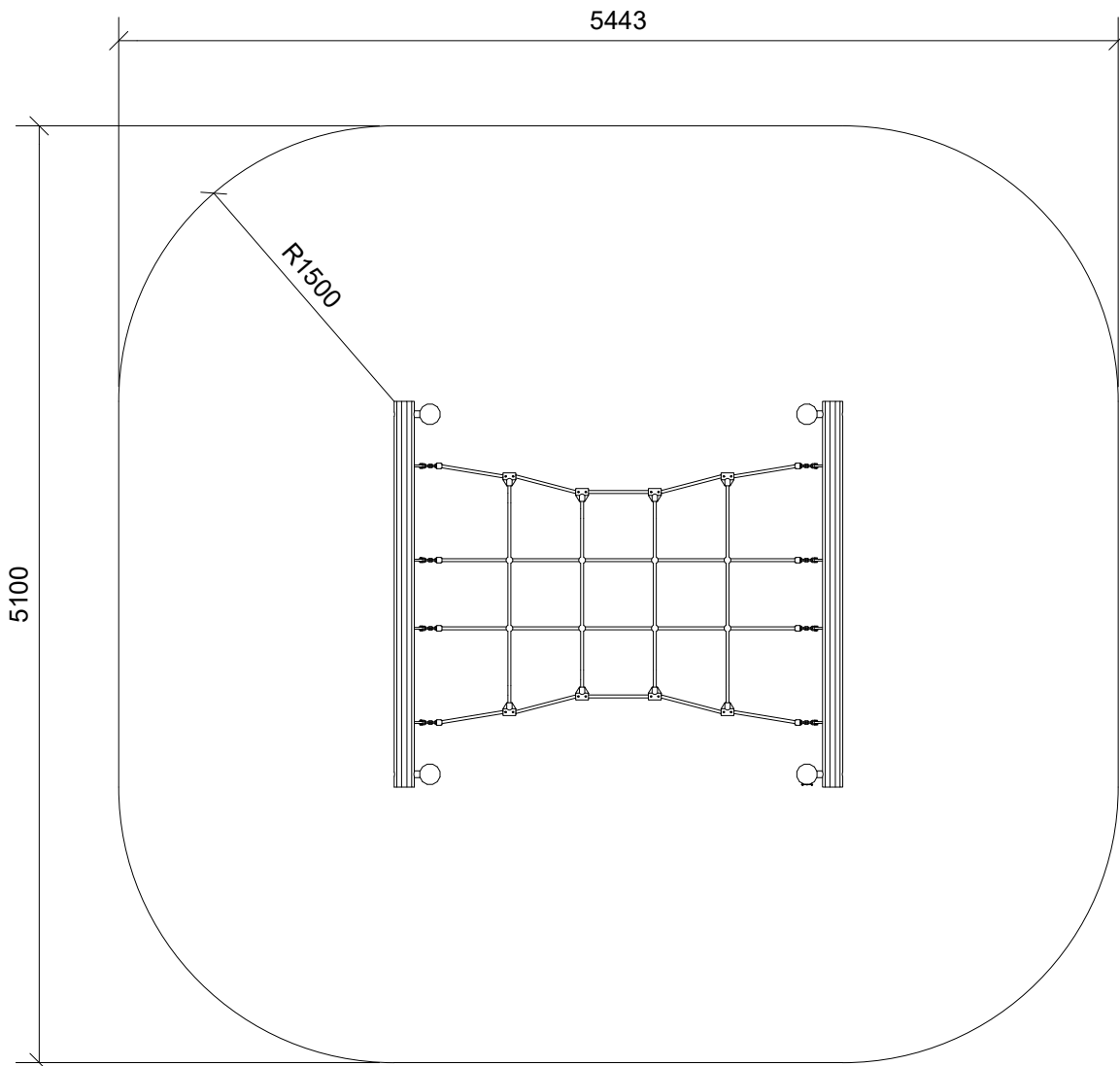
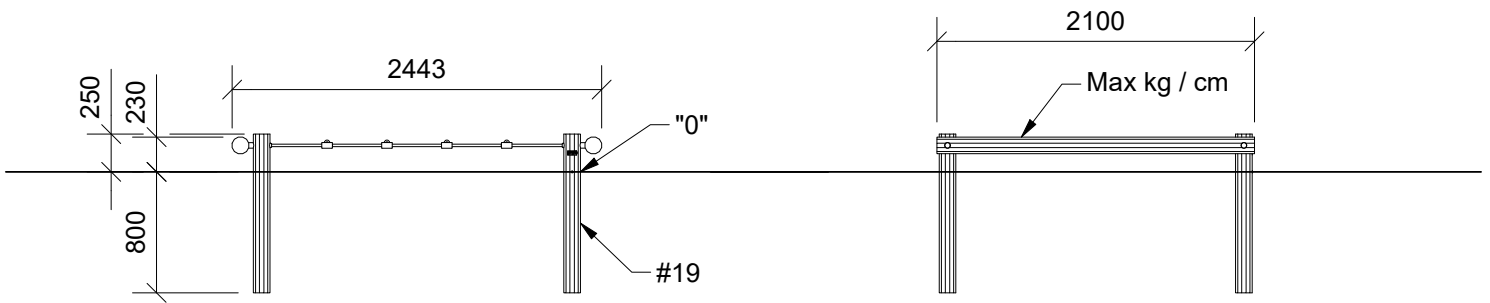


N3210U
N3210

1/5



N3210U N3210



2



2h



25,8 m³



5,4 x 5,1 x 0,25 m



~79 kg



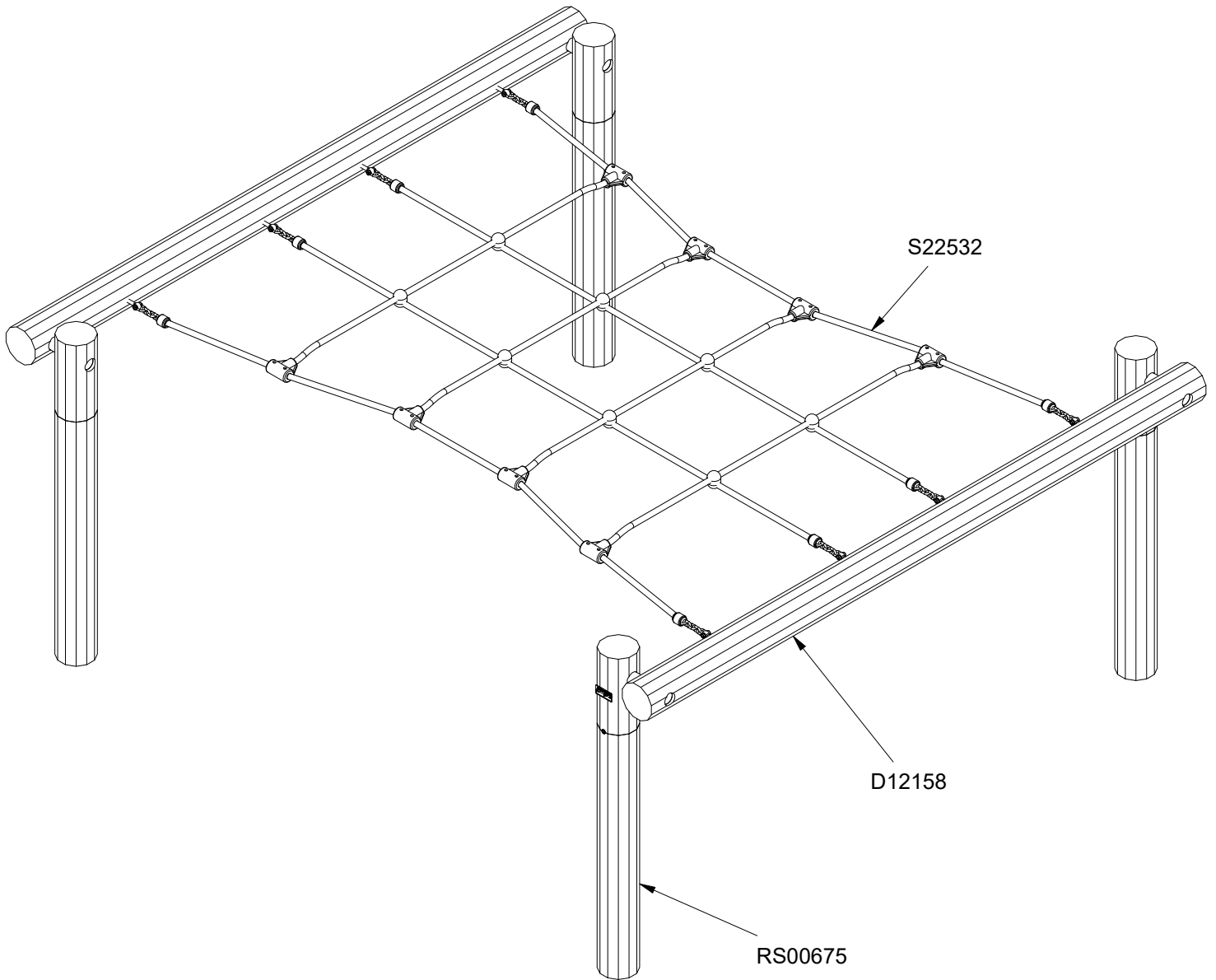
~0,15 m³



Ø10/12 x 210 cm



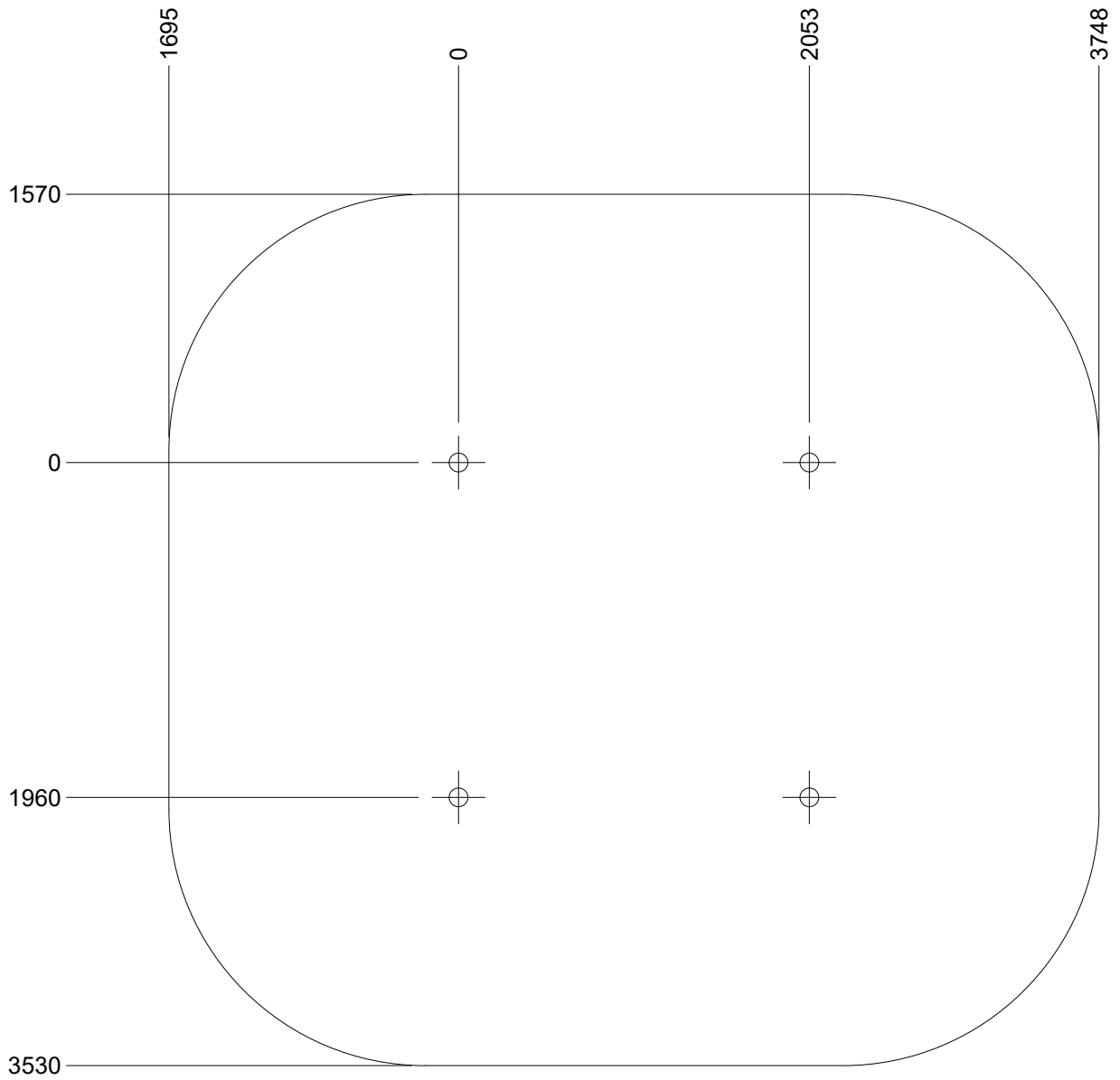
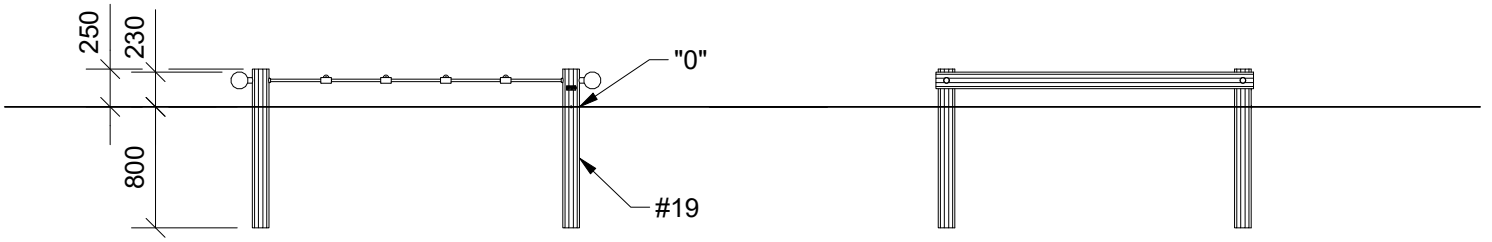
19 kg

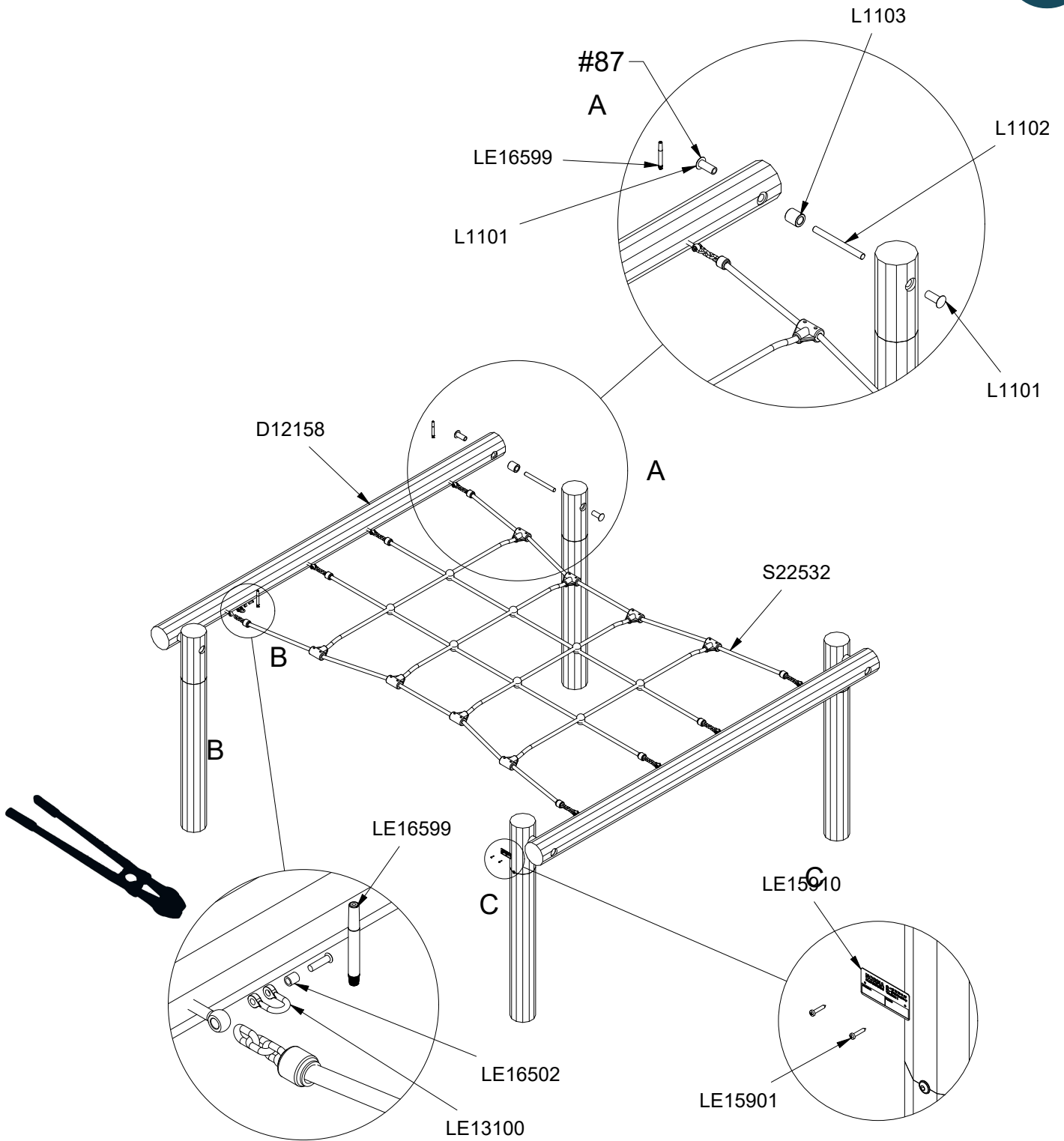


Parts List

QTY	PART NO	DESCRIP.
1	S22532	Taifun
4	RS00675	Ø100/120
2	D12158	Ø100-120mm, Assembled

N3210U
N3210



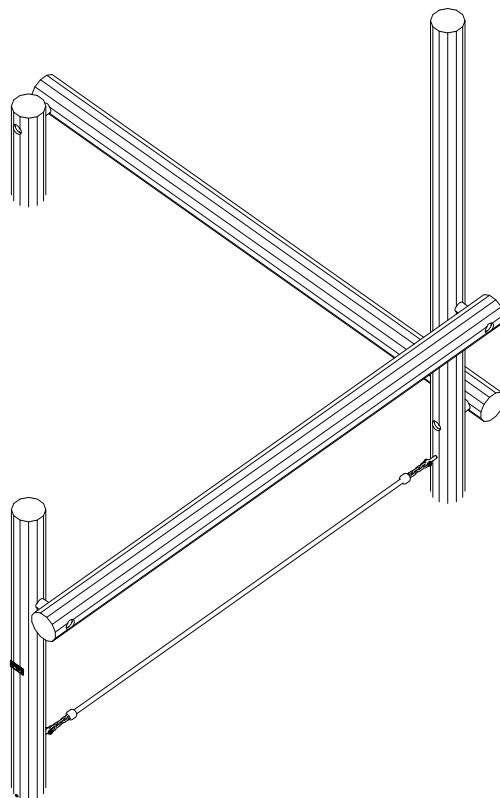
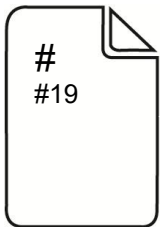


Parts List

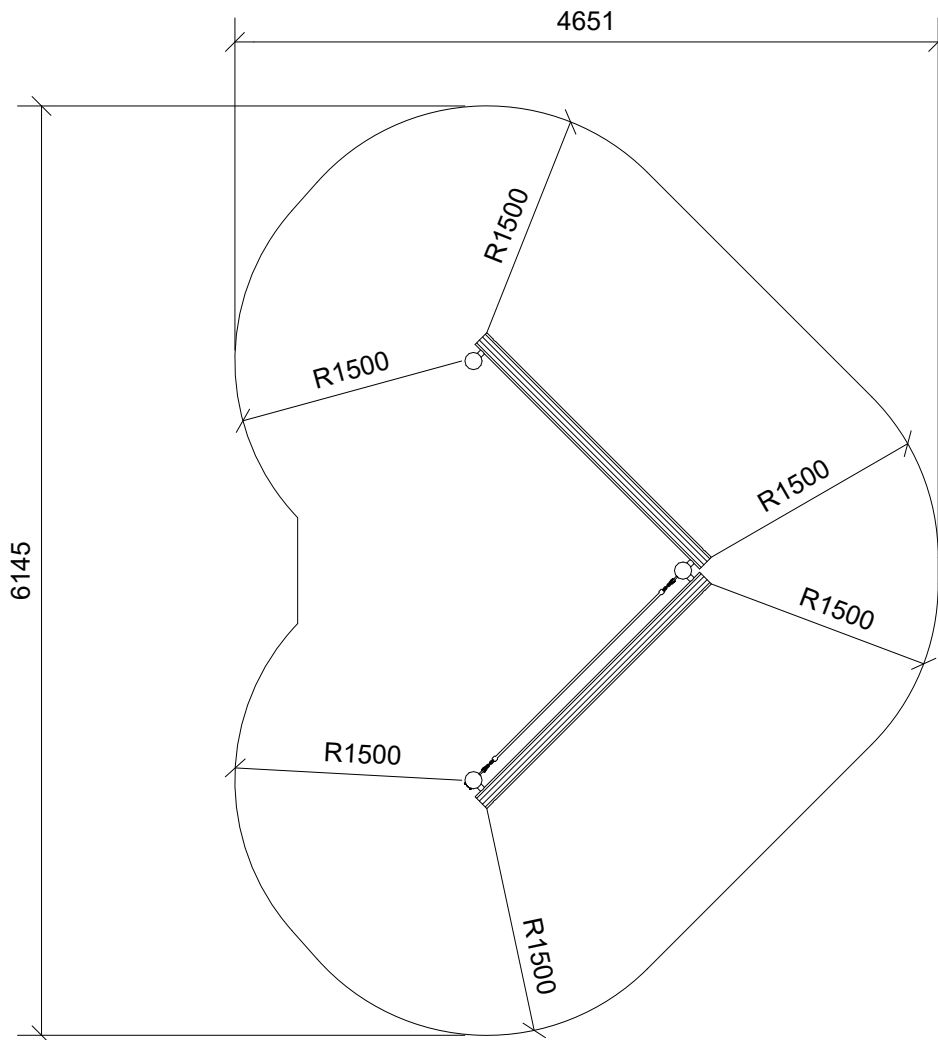
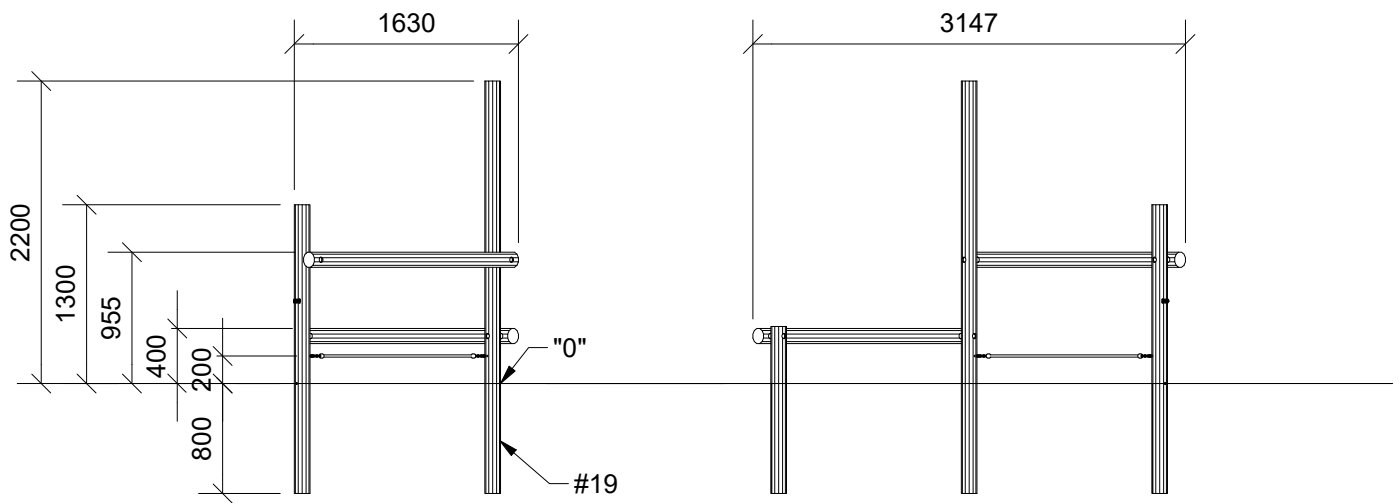
QTY	PART NO	DESCRIP.
2	D12158	Ø100-120mm, Assembled
8	L1101	M16 sleeve nut
4	L1102	M16 Threaded rod
4	L1103	Ø37mm
8	LE13100	Shackle
2	LE15901	3x16, PH
1	LE15910	Name tag
8	LE16502	Spacer 6mm
3	LE16599	Sealtite 970 1,5ml
4	RS00675	Ø100/120
1	S22532	Taifun

N3103U
N3103

1/5



N3103U N3103



2



2h



21 m²



4,7 x 6,1 x 2,2 m



~96 kg



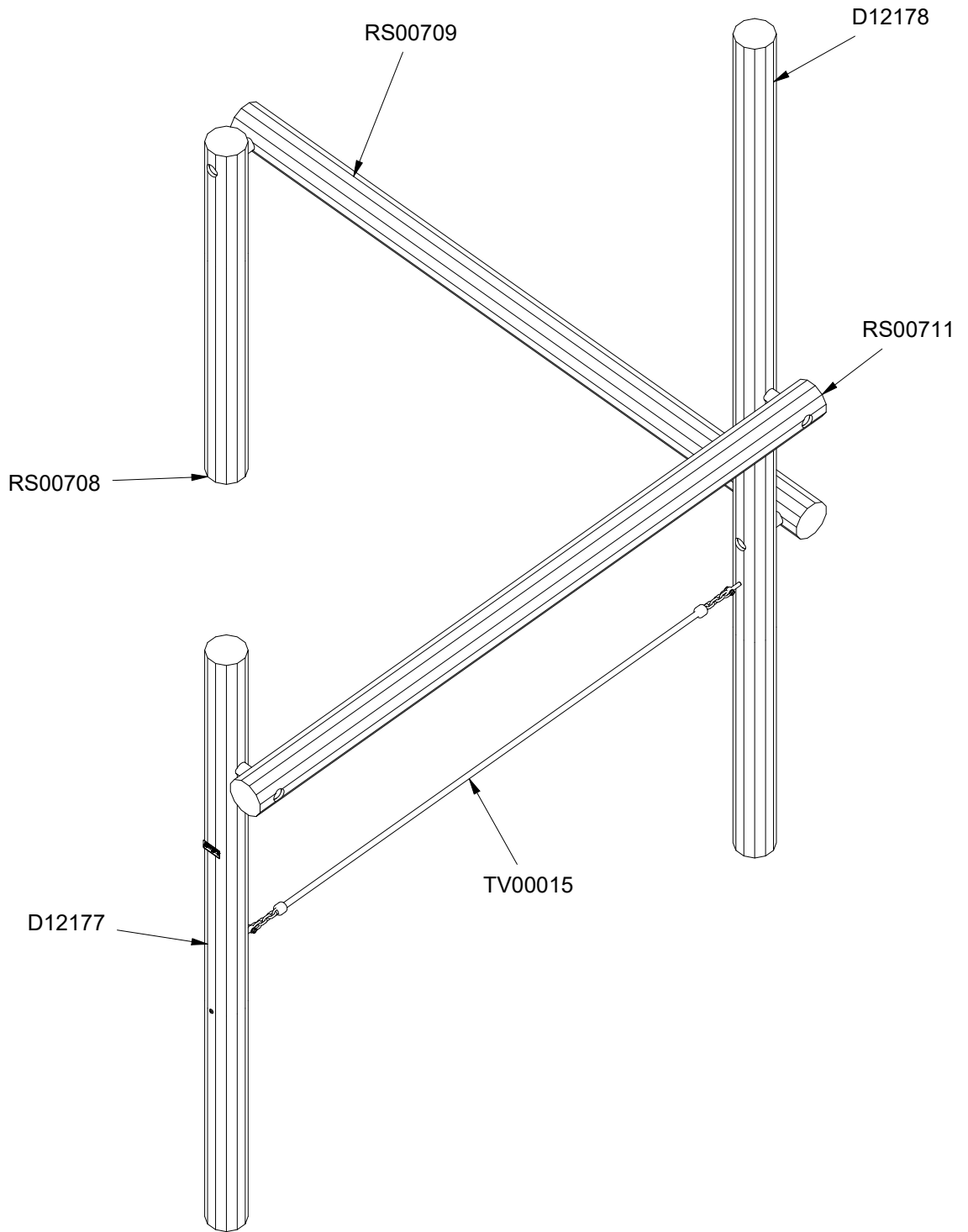
>C25



Ø10/12 x 300 cm



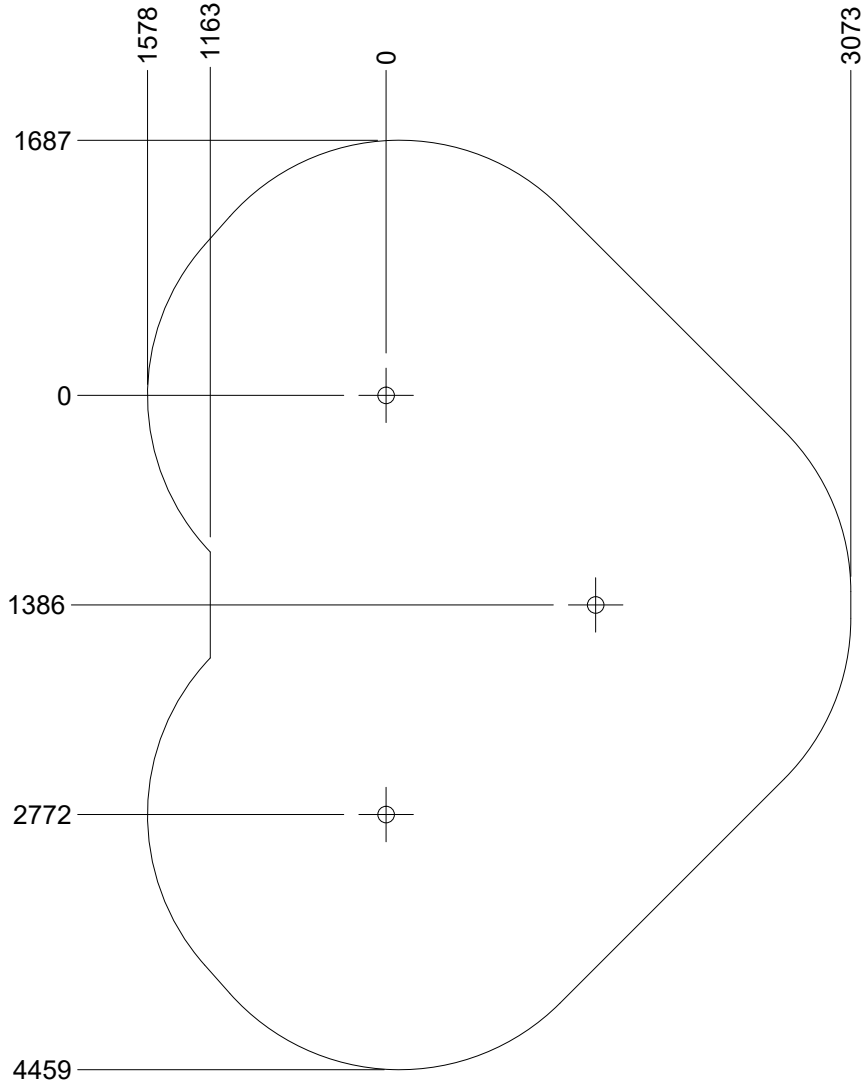
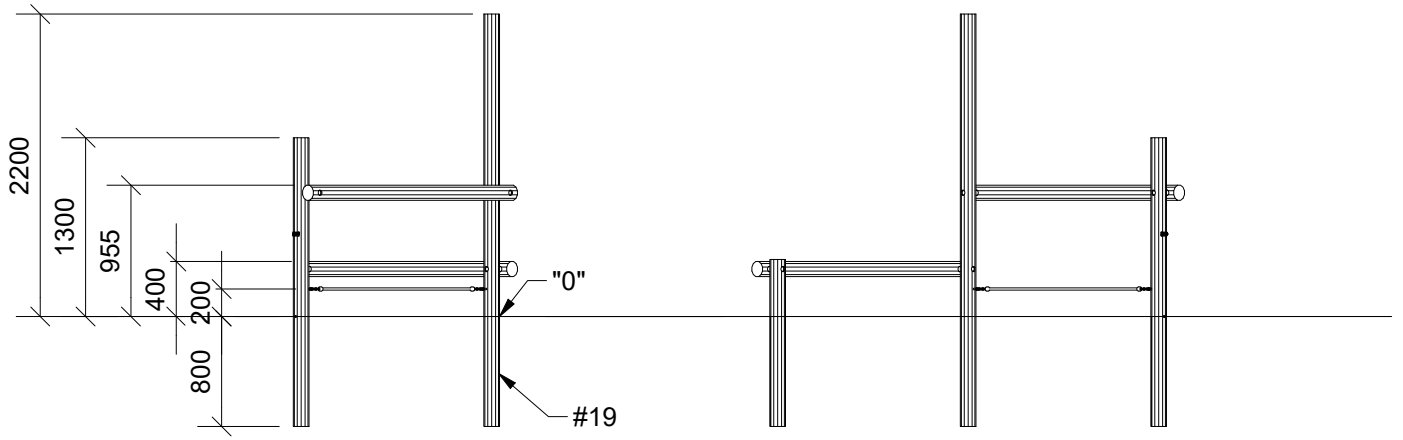
27 kg

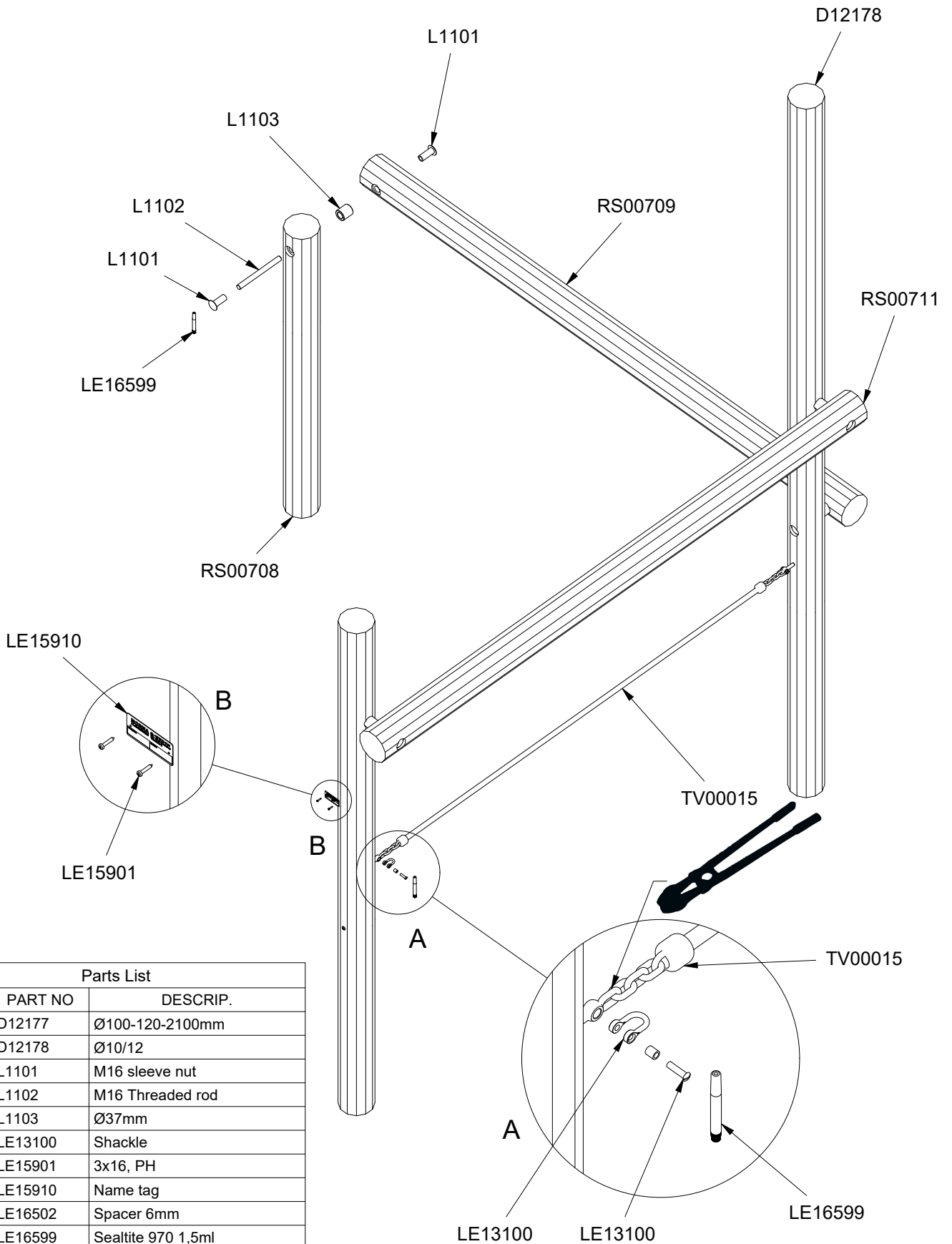


Parts List

QTY	PART NO	DESCRIP.
1	D12177	Ø100-120-2100mm
1	D12178	Ø10/12
1	RS00708	Ø10/12
1	RS00709	Ø100-120-2100mm
1	RS00711	Ø10/12
1	TV00015	Taifun

N3103U
N3103






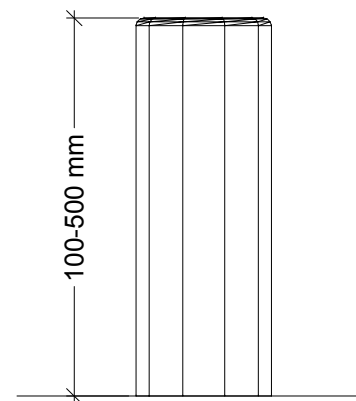
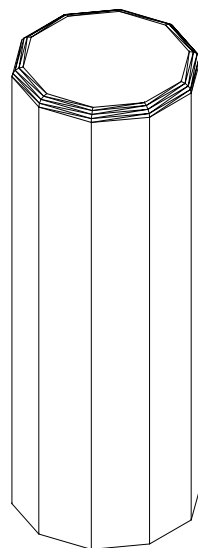
Parts List		
QTY	PART NO	DESCRIP.
1	D12177	Ø100-120-2100mm
1	D12178	Ø10/12
8	L1101	M16 sleeve nut
4	L1102	M16 Threaded rod
4	L1103	Ø37mm
2	LE13100	Shackle
2	LE15901	3x16, PH
1	LE15910	Name tag
2	LE16502	Spacer 6mm
2	LE16599	Sealtite 970 1,5ml
1	RS00708	Ø10/12
1	RS00709	Ø100-120-2100mm
1	RS00711	Ø10/12
1	TV00015	Taifun

NORLEG	
Robinia balancepæl	
LE 20528	
17.11.2010	REV. -

< 600



≥ EN 1176

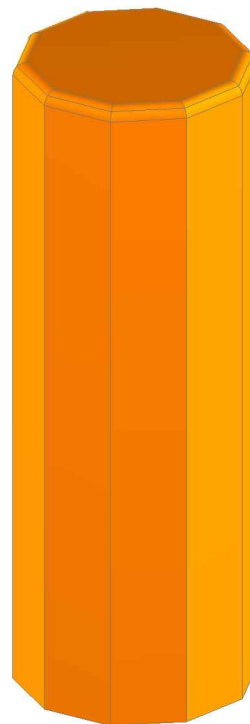


1:10

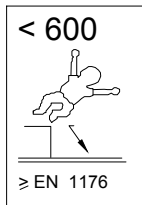


1:10

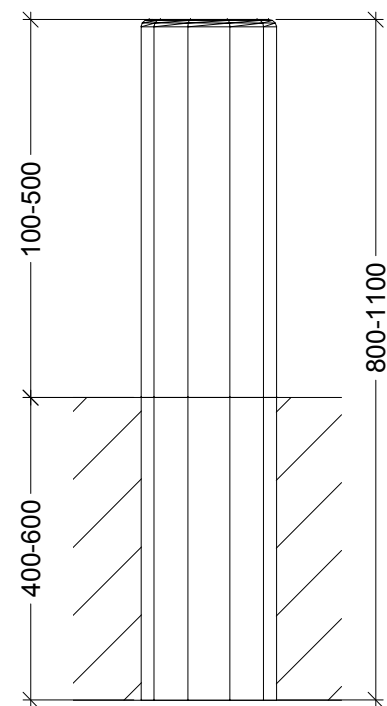
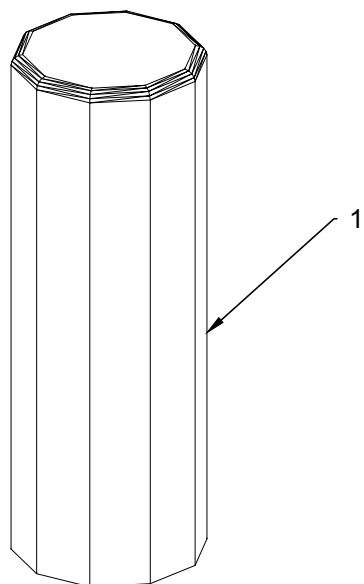
NORLEG - 3D	
Robinia Balancepæl	
LE 20528	
17.11.2010	REV. -



NORLEG - Mont.	
Robinia Balancepæl	
LE 20528	
17.11.2010	REV. -



Parts list		
Mrk.	QTY	Part.no
1	1	160-180-0800/1100



1:10



1:10

Denne tegning er NORLEG's ejendom, og må ifølge gældende lov ikke kopieres, overlades eller udnyttes af 3. mand. Sker dette, skal det påregnes, at der vil blive opkrævet et honorar på 10% af formodet entreprisum.